



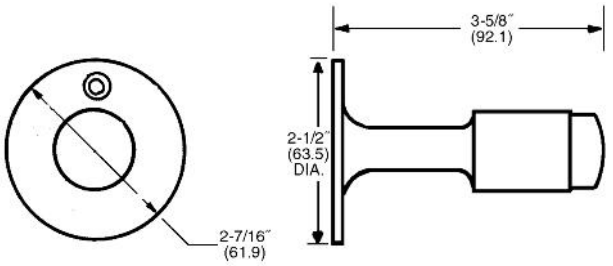
Wall Door Stops

Model No	Specifications	Dimensions F-3
----------	----------------	----------------

1320

Wall Door Stop
Heavy Duty

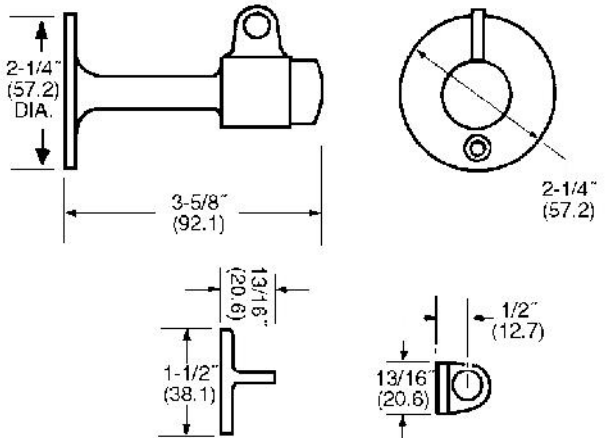
- Heavy duty cast brass
- Non marking rubber tip
- Meets ANSI A156.16 BHMA L12011 or L12021
- Conforms to Fed. Spec. No. 1320 and 1320E with expansion shield.
- Supplied with lag screw for wood and expansion shield for concrete.
- Available in brass base architectural finishes



1321

Wall Stop & Holder
Heavy Duty

- Heavy duty cast brass
- Non marking rubber tip
- Meets ANSI A156.16 BHMA L12011 or L12021
- Conforms to Fed. Spec. No. 1320 and 1320E with expansion shield.
- Supplied with lag screw for wood and expansion shield for concrete.
- Available in brass base architectural finishes



F-4 Model No

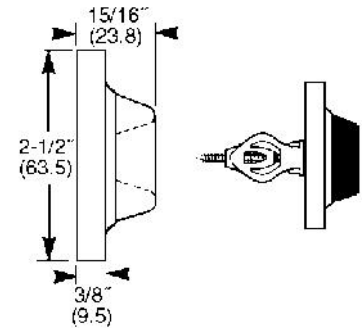
Specifications

Dimensions

1325

Convex Wall Door Stop

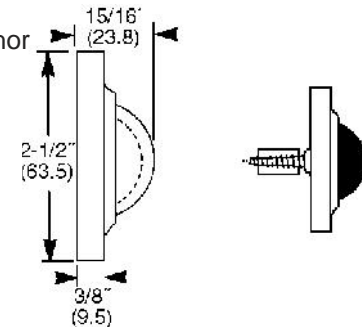
- Heavy duty cast brass
- Conforms to ANSI A156.16 BHMA L12101
- Supplied with wood, screw, plastic anchor and drywall anchor
- Available in brass base architectural finishes



1326

Concave Wall Door Stop

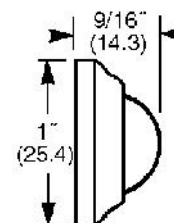
- Heavy duty cast brass
- Concave rubber permits knob or level to strike stop without engaging or damaging lock mechanism
- Conforms to Fed. Spec. No. 1327T
- Meets to ANSI A156.16 BHMA L12111
- Supplied with wood screw, plastic anchor and drywall anchor
- Available in brass base architectural finishes



1331

Convex Miniature Wall Door Stop

- Solid brass
- Compact size
- Concealed mounting
- Convex gray rubber bumper
- Available in standard brass base finishes

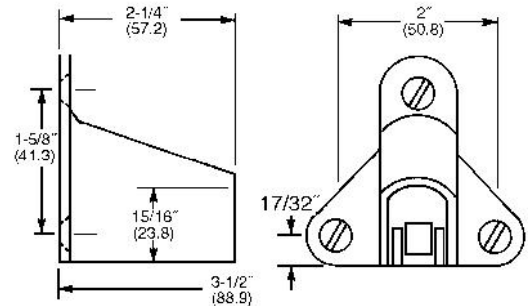
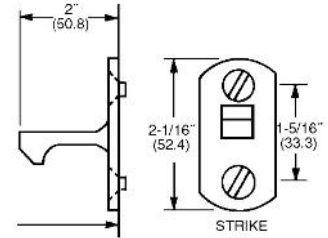


Model No	Specifications	Dimensions	F-5
----------	----------------	------------	-----

1318W

Wall Mounted
Automatic Door Holder

- Solid cast brass
- Internal bumper to reduce shock and noise
- Conforms to Fed. Spec. No. 1169
- Meets ANSI A156.16 BHMA L11291
- Supplied for wood or concrete application
- Available in standard brass base finishes



1319W

Wall Mounted
Automatic Door Holder
With Adjustable Strike

- Heavy duty cast brass
- Extra heavy duty rubber pad to absorb shock and reduce noise
- Vertical adjustment on body
- Adjustable swivel strike
- Meets ANSI A156.16 BHMA L11291
- Supplied for wood or concrete application
- Available in standard brass base finishes

